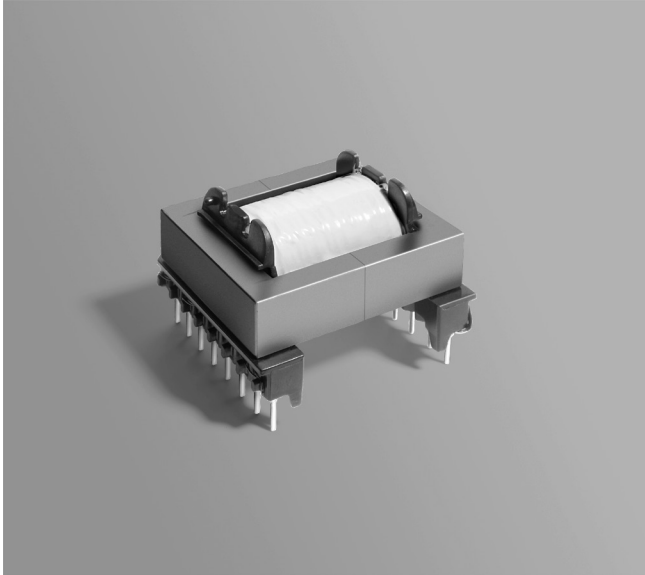




Flyback Transformer

For ON Semiconductor
NCP1606 PFC Controller



- Designed for 90 Watt applications
- Operates in discontinuous conduction mode with an input of 85 – 265 Vac, 1.28 Arms maximum
- 3000 Vrms isolation from primary and auxiliary to secondary

Core material Ferrite

Terminations RoHS compliant tin-silver over tin over copper. Other terminations available at additional cost.

Weight 68 g

Ambient temperature -40°C to +125°C

Storage temperature Component: -40°C to +125°C.
Tray packaging: -40°C to +80°C

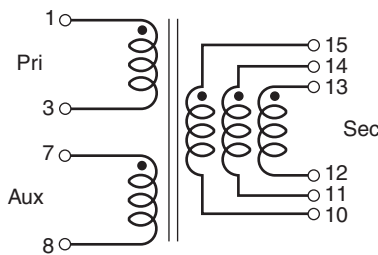
Moisture Sensivity Level (MSL) 1 (unlimited floor life at <30°C / 85% relative humidity)

Packaging 30 parts per tray

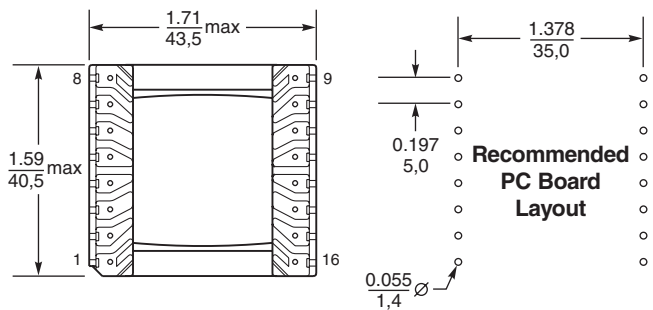
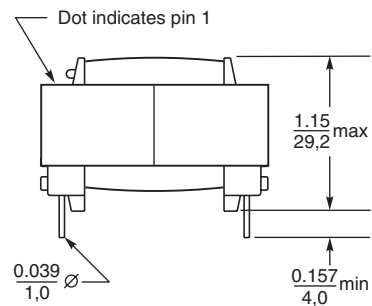
PCB washing Tested to MIL-STD-202 Method 215 plus an additional aqueous wash. See [Doc787 PCB Washing.pdf](#).

Part number	Inductance at 0 A ¹ ±10% (µH)	Inductance at I _{pk} ² (µH)	DCR max (Ohms) ³			Leakage inductance max (µH)	Turns ratio ⁴		I _{pk} ² (A)	Output ⁵
			pri	aux	sec		pri : aux	pri : sec		
GA3366-BL	300	270	0.210	0.073	0.0053	7.45	1:0.118	1:0.147	3.1	19.5 V, 4.62 A

1. Inductance measured at 100 kHz, 1.1 Vrms, 0 Adc using an Agilent/ HP 4263B impedance analyzer or equivalent.
 2. Peak primary current drawn at minimum input voltage.
 3. DCR for the secondary is with the windings connected in parallel.
 4. Turns ratio is with the secondary windings connected in parallel.
 5. Output of the auxiliary winding is 16 V, 20 mA.
 6. Electrical specifications at 25°C.
- Refer to Doc 362 "Soldering Surface Mount Components" before soldering.



Secondary windings to be connected in parallel on the PC board



Dimensions are in $\frac{\text{inches}}{\text{mm}}$



US +1-847-639-6400 sales@coilcraft.com
UK +44-1236-730595 sales@coilcraft-europe.com
Taiwan +886-2-2264 3646 sales@coilcraft.com.tw
China +86-21-6218 8074 sales@coilcraft.com.cn
Singapore + 65-6484 8412 sales@coilcraft.com.sg

Document 656 Revised 10/01/18

© Coilcraft Inc. 2021

This product may not be used in medical or high risk applications without prior Coilcraft approval. Specification subject to change without notice. Please check web site for latest information.